



# AIRCHARGER<sup>®</sup>

## HIGH-FLOW INTAKE KITS

LEGAL IN CALIFORNIA ONLY FOR RACING VEHICLES WHICH MAY NEVER BE USED, REGISTERED OR LICENSED FOR USE UPON A HIGHWAY.  
See knfilters.com for CARB status on each part for a specific vehicle

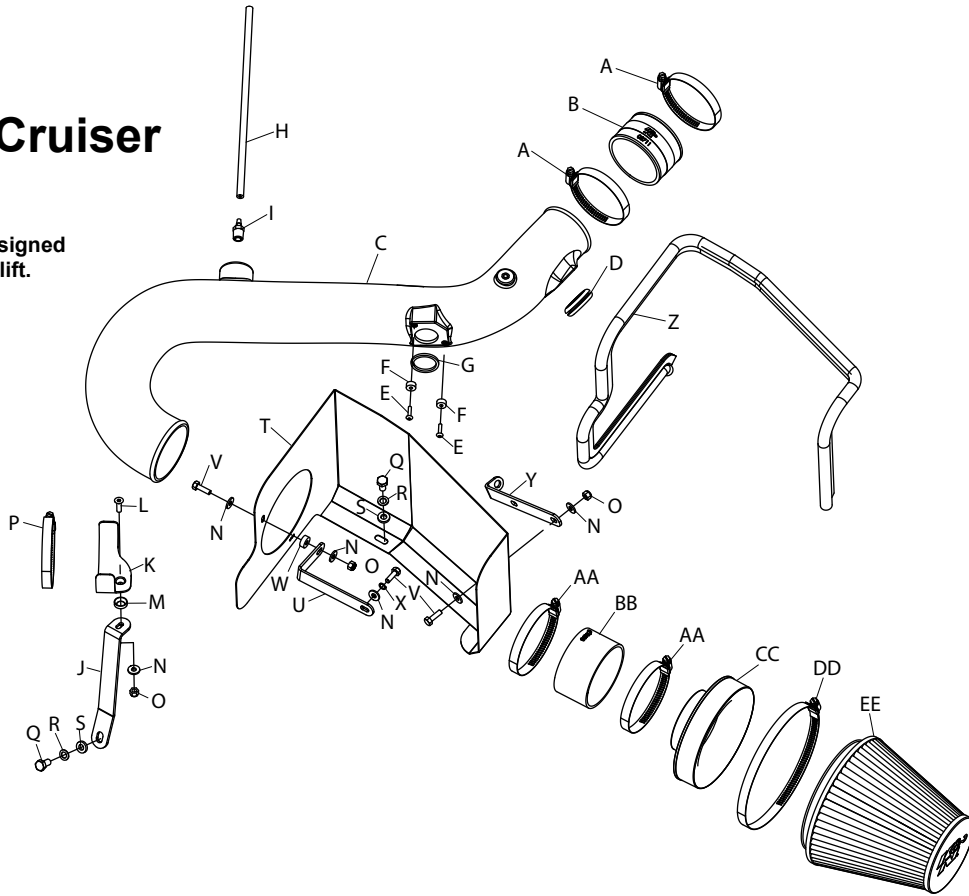
### INSTALLATION INSTRUCTIONS

## 63-9030 TOYOTA 2007-09 FJ Cruiser V6-4.0L

NOTE: This kit was not designed to fit vehicles with a body lift.

#### TOOLS NEEDED:

- Flat Blade Screwdriver
- Phillips Screwdriver
- Ratchet
- Extension
- 10mm Socket
- 12mm Socket
- 13mm Socket
- Pliers
- 2.5mm Allen Wrench
- 10mm Wrench
- 13mm Wrench



#### PARTS LIST:

Description	Qty.	Part #
A	2	08601
B	1	08434
C	1	087205A
D	1	082000
E	2	07793
F	2	06531
G	1	09013
H	1	08147
I	1	080021
J	1	26634
K	1	078855
L	1	08376
M	1	08180
N	6	08275
O	3	07553
P	1	08610
Q	2	07844
R	2	08239
S	2	08276
T	1	07636
U	1	26635
V	3	07795
W	1	06555
X	1	08198
Y	1	07159A
Z	1	102481
AA	2	08620
BB	1	08630
CC	1	21512
DD	1	08697
EE	1	RU-5046

If you need any assistance please call 1-800-858-3333 to speak with a representative in our Customer Service Center before returning the product.

**NOTE: FAILURE TO FOLLOW INSTALLATION INSTRUCTIONS AND NOT USING THE PROVIDED HARDWARE MAY DAMAGE THE INTAKE TUBE, THROTTLE BODY AND ENGINE.**

#### TO START:

1. Turn off the ignition and disconnect the negative battery cable.

**NOTE: Disconnecting the negative battery cable erases pre-programmed electronic memories. Write down all memory settings before disconnecting the negative battery cable. Some radios will require an anti-theft code to be entered after the battery is reconnected. The anti-theft code is typically supplied with your owner's manual. In the event your vehicles' anti-theft code cannot be recovered, contact an authorized dealership to obtain your vehicles anti-theft code.**



2. Loosen the two nuts that secure the engine cover.



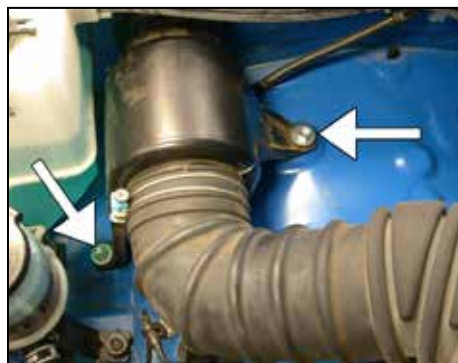
3. Lift up and remove the engine cover.



4. Disconnect the mass air sensor electrical connection.



5. Slide the spring clamp back and then disconnect the crankcase ventilation hose from the fitting on the factory airbox.



6. Remove the two intake resonator mounting bolts shown.



7. Loosen the hose clamp that secures the intake tube to the stock air filter housing, then remove the intake tube and resonator assembly.



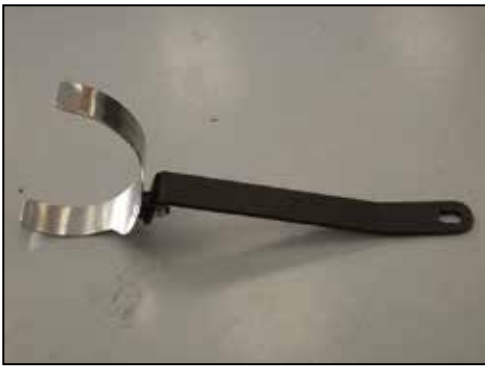
8. Remove the two airbox mounting nuts shown and loosen the hose clamp at the throttle body.



9. Lift up and remove the airbox assembly from the engine.

**NOTE: Be sure to unhook the mass air sensor wiring harness retaining clips and fuel pressure regulator vent hose from the airbox.**

**NOTE: K&N Engineering, Inc., recommends that customers do not discard factory air intake.**



10. Install the saddle clamp onto the tube mounting bracket as shown with the provided hardware.



11. Install the tube mounting bracket assembly onto the rear threaded boss on the engine with the provided hardware.



12. Remove the power steering reservoir mounting bolt shown.

**NOTE: This bolt will be reused.**



13. Install the "L" bracket onto the power steering reservoir using the bolt removed in step #12.

**NOTE: Do not completely tighten at this time.**

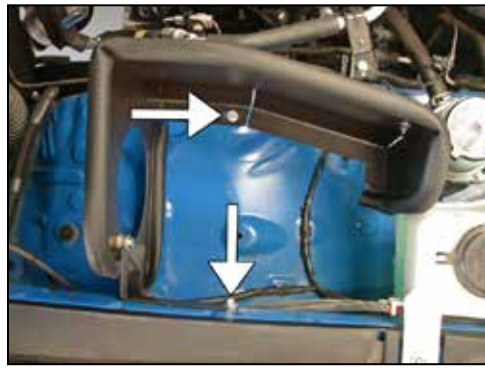


14. Install the "L" bracket onto the heat shield using the supplied spacer between the heat shield and bracket.



15. Install the provided edge trim onto the heat shield as shown.

**NOTE: Some trimming of the edge trim may be necessary.**



16. Install the heat shield assembly into the vehicle and secure with the provided hardware.



17. Remove the two screws that secure the mass air sensor to the airbox and then remove the mass air sensor from the airbox.



18. Remove the clamp that secures the crankcase vent and then remove the crankcase vent fitting from the airbox.



19. Remove the engine cover mounting stud from the airbox as shown.

**NOTE: This stud will be reused.**



20. Install the supplied gasket onto the mass air sensor as shown.



21. Install the mass air sensor assembly into the K&N intake tube using the supplied hardware.



22. Install the supplied grommet into the K&N intake tube as shown.



23. Install the stock crankcase vent fitting into the grommet that was installed in the K&N intake tube in the previous step.



24. Install the supplied 1/4 npt fitting into the K&N intake tube as shown.

**NOTE: Plastic NPT fittings are easy to cross thread. Install the vent fitting "hand" tight, then turn it two complete turns with a wrench.**



25. Install the engine cover mounting stud into the K&N intake tube as shown, this stud was removed in step #19.



26. Install the silicone hose (08434) onto the throttle body and secure with the provided hose clamp.



27. Install the K&N intake tube into the silicone hose at the throttle body and align with the saddle clamp. Secure the intake tube with the provided hose clamps.



28. Install the supplied fuel pressure regulator vent hose onto the fuel pressure regulator. Attach the opposite end of the vent hose onto the K&N® intake tube as shown.



29. Install the crankcase vent hose onto the vent fitting and secure with the factory clamp.



30. Install the supplied filter adapter into the K&N® air filter and secure with the provided hose clamp.



31. Install the supplied silicone hose (08630) onto the K&N® air filter assembly and secure with the provided hose clamp.

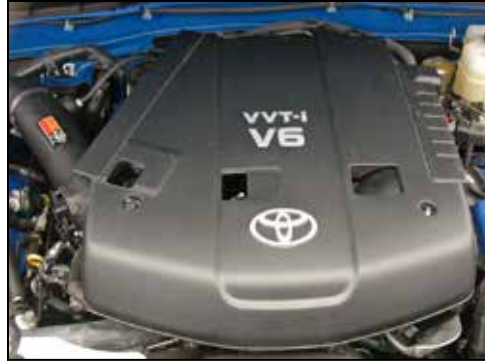


32. Install the K&N® air filter assembly onto the K&N® intake tube and secure with the provided hose clamp.

**NOTE: Drycharger® air filter wrap; part # RC-5046DK is available to purchase separately. To learn more about Drycharger® filter wraps or look up color availability please visit <http://www.knfilters.com>.**



33. Reconnect the mass air sensor electrical connection.



34. Reinstall the engine cover and secure with the factory nuts.



35. Reconnect the vehicle's negative battery cable. Double check to make sure everything is tight and properly positioned before starting the vehicle.

36. It will be necessary for all K&N® high flow intake systems to be checked periodically for realignment, clearance and tightening of all connections. Failure to follow the above instructions or proper maintenance may void warranty.

#### ROAD TESTING:

1. Start the engine with the transmission in neutral or park, and the parking brake engaged. Listen for air leaks or odd noises. For air leaks secure hoses and connections. For odd noises, find cause and repair before proceeding. This kit will function identically to the factory system except for being louder and much more responsive.

2. Test drive the vehicle. Listen for odd noises or rattles and fix as necessary.

3. If road test is fine, you can now enjoy the added power and performance from your kit.

4. K&N Engineering, Inc., suggests checking the air filter element periodically for excessive dirt build-up. When the element becomes covered in dirt (or once a year), service it according to the instructions on the Recharger® service kit, part number 99-5050 or 99-5000.

**LEGAL IN CALIFORNIA ONLY FOR RACING VEHICLES WHICH MAY NEVER BE USED, REGISTERED OR LICENSED FOR USE UPON A HIGHWAY.**

See [knfilters.com](http://knfilters.com) for CARB status on each part for a specific vehicle